

STREET TREE PLANTING INSTRUCTIONS AND REQUIREMENTS

A. INSPECTION:

- Inspection of tree planting by the City Engineering Inspector or Building Inspector is required.
1. Engineering Inspector or Building Inspector shall approve the hole dimensions prior to planting.
 2. City Arborist shall perform inspection of planting and tree quality after the tree planting is complete.

Appointments for inspection(s) may be made by calling (805) 781-7220 at least 48 hours in advance of the inspection.

B. TREE QUALITY:

Tree quality must conform to the requirements of guideline specifications for nursery tree quality included in Appendix I.

C. BACKFILL MATERIAL:

The backfill material shall be free of construction spoils/debris and composed of:

- 75% Native Soil (the soil removed from the planting hole)
- 15% Compost Material
- 10% Sand (see Note)

Note: The sand component of the backfill may be deleted if the Arborist determines that the existing native soil will provide adequate aeration for the root system.

D. PLANTING:

Partially fill the bottom of the excavated hole with backfill material, while tamping and watering, to an elevation equal to the bottom of the root ball. Root crown (top of root ball) shall extend one (1) inch above finish grade when planting is completed and 4 inches below the bottom of grate. Place the tree to be planted in the center of the hole on tamped backfill. Continue adding backfill while tamping and watering.

Continue adding backfill around root ball to finish grade, while tamping tightly, and add additional water to thoroughly wet root ball and backfill material.

For Street Tree Well installations, finish grade shall be 4" below the sidewalk grade.

E. TREE SIZE and TYPE:

Standard tree size shall be #15. A larger sized 24", 36" or 48" box may be required for some installations. New trees planted in the downtown (within the boundary of the Downtown Association) shall be a minimum of a 24" box.

Tree type shall be from the Master Street Tree list and (if applicable) be in accordance with the selections for major streets.

F. STAKING:

All newly planted street trees shall be staked.

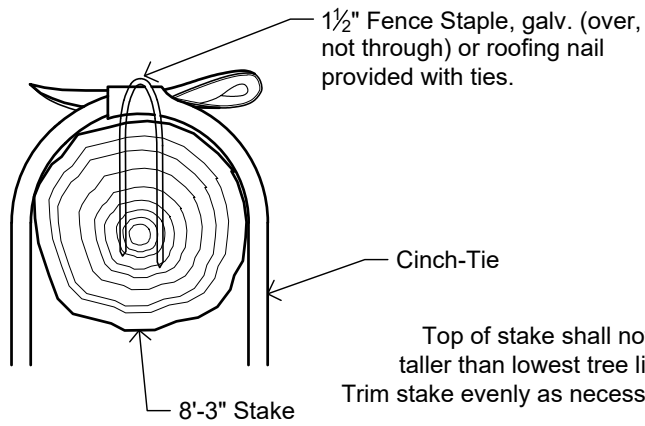
G. GUARDS:

Trees planted within the Mission Style Sidewalk District shall include installation of a tree guard of the same manufacturer as the tree grate, see Engineering Standard 8130.

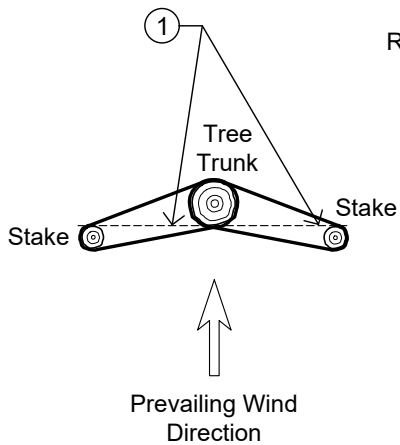
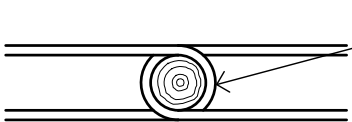
REVISIONS	BY	APP	DATE
<i>Revised Notes A, D, & G</i>	<i>MH</i>	<i>BL</i>	<i>11-09</i>
<i>Modified A, B, C, D</i>	<i>KH</i>	<i>MH</i>	<i>1-18</i>
<i>Drafting edits</i>	<i>JDL</i>	<i>MH</i>	<i>5-13</i>
STANDARD CURRENT AS OF:		May 2018	



STREET TREE PLANTING NOTES



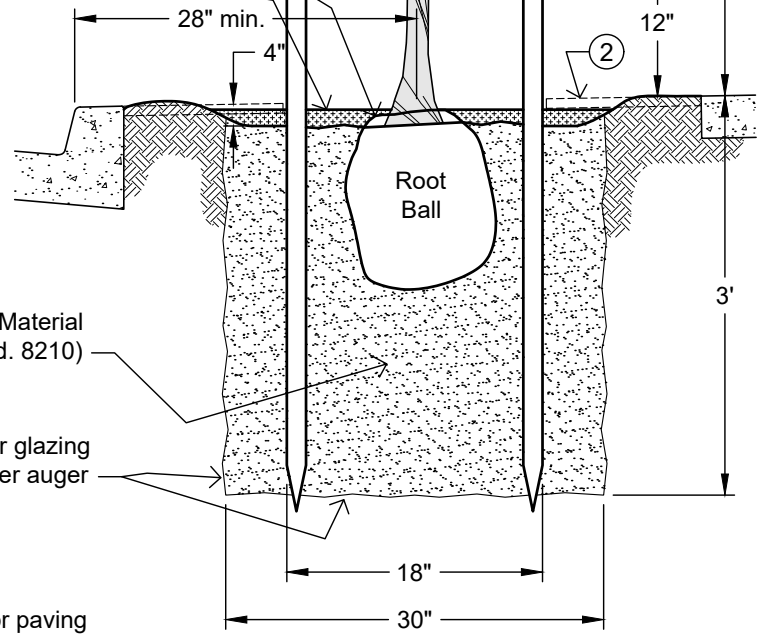
Top of stake shall not be taller than lowest tree limb. Trim stake evenly as necessary.



Remove nursery stake(s) and backfill hole with soil after planting. Install (2) 8'-3" Lodgepole Pine Stakes.

Top of Root Ball 1/2" above finished grade

Mulch Wood Chips, 2" deep



Backfill Material (See Eng. Std. 8210)

Remove clay slick or glazing if dug by power auger

INSTALLATION NOTES:

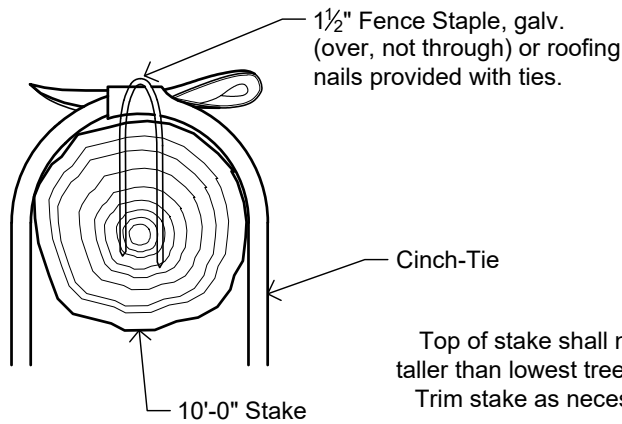
- ① Align face of tree trunk with face of stake.
- ② At Zone 1, tree grate shall be installed per Engineering Standard 8130, 4" clear from top of grate to top of backfill material.

- ZONE 1:** Trees planted in tree wells or parkway
- ZONE 2:** Trees planted within 7'-6" of curb, sidewalk, or paving
- ZONE 3:** Trees planted more than 7'-6" of curb, sidewalk, or paving

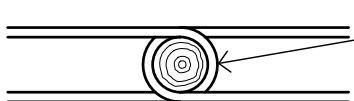
REVISIONS	BY	APP	DATE
Combined Stds 8830 and 8840	JDL	MH	6-13
Drafting edits	JDL	MH	6-13
Remove crossbrace & tubes	KH	MH	01-16
STANDARD CURRENT AS OF:		May 2018	



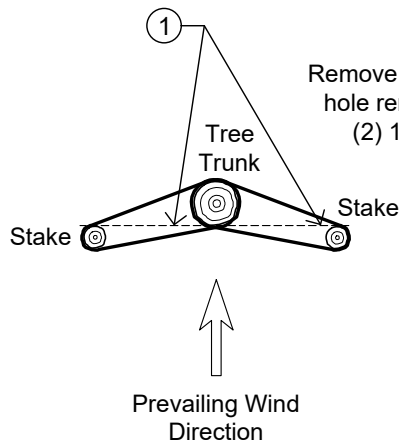
TREE PLANTING and STAKING
ZONES 1, 2 and 3
15 Gallon Size



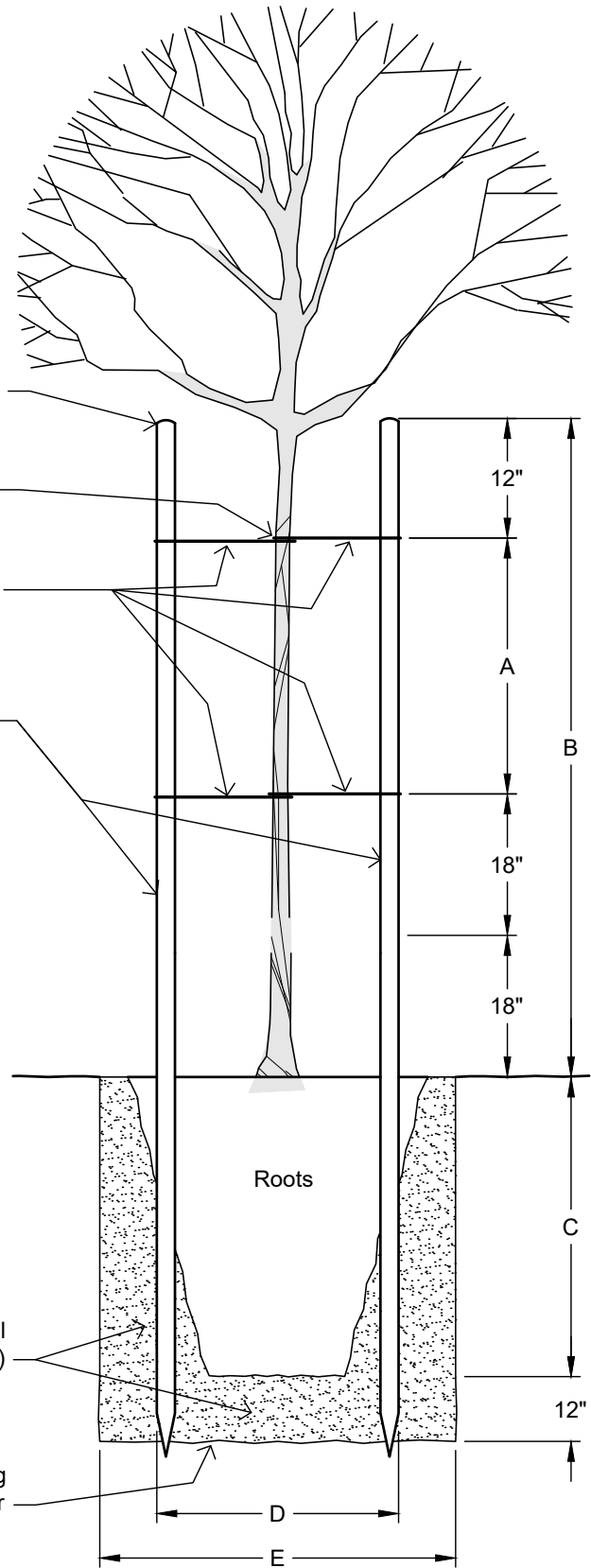
Top of stake shall not be taller than lowest tree limb. Trim stake as necessary.



24" Cinch-ties (4 ea.) shall be snug, not tight



Remove nursery stake(s) and backfill hole remaining after planting. Install (2) 10'-0" Lodgepole Pine Stakes.



TREE BOX SIZE (in)	DIMENSIONS (in)				
	A	B	C	D	E
24	36	84	24	18	40
36	24	72	36	24	48
48	18	66	42	30	60

INSTALLATION NOTES:

- ① Align face of tree trunk with face of stake.

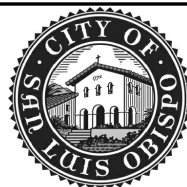
Backfill Material (See Eng. Std. 8210)

Remove clay slick or glazing if dug by power auger

ZONE 1: Trees planted in tree wells or parkway
 ZONE 2: Trees planted within 7'-6" of curb, sidewalk, or paving

REVISIONS	BY	APP	DATE
Removed crossbrace	KH	MH	01-18
Revised Tube Length	MH	BL	11-09
Drafting edits	JDL	MH	6-13

STANDARD CURRENT AS OF: May 2018



TREE PLANTING and STAKING
 ZONES 1 and 2
 24" Box and Larger