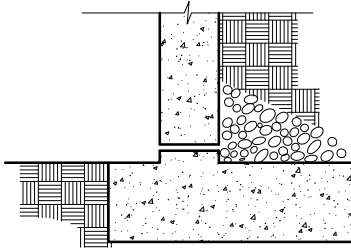
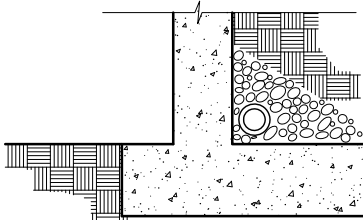


WALL DRAINAGE:

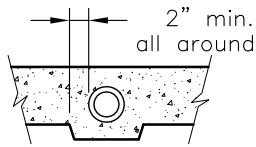


Place a 12" layer of course gravel against the back of the wall and provide a 3/4" weep hole (or omit the mortar from the vertical joint in block walls) just above the ground level, at 32" on center. No weep holes are to drain across a public sidewalk.

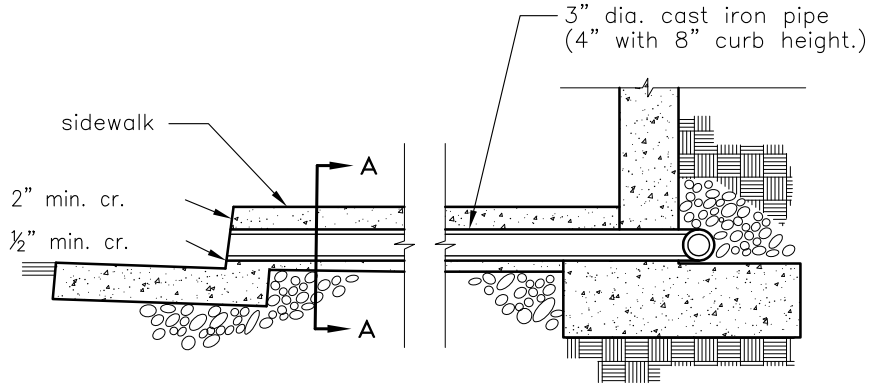
OR



Place a 3" diameter perforated pipe along the back of the wall with a 12" layer of gravel around it, set to drain at intermittent collection points. When a wall is constructed back of a sidewalk, place 3" diameter pipe drains at 10' centers through the curb face. (4" curb drains are allowed only with 8" curb height.)



SECTION A-A



CURB DRAIN

GENERAL NOTES:

- A. Multiple drains shall have 2" min. clearance with a max. of 3 drains per 10' of sidewalk.
- B. Drains shall not extend past curb face into gutter and shall be angled between 60°-90° from curb line.
- C. See Engineering Standard #3415 for further requirements.

REVISIONS	BY	APP	DATE
New border	JDL	WAP	9-97
Redrawn to CAD	RMH	WAP	1-95
STANDARD CURRENT AS OF: January 2010			



RETAINING WALL DRAINAGE